

Parker Hannifin Plc.
Instrumentation Products Division
Barnstaple EX31 1NP

SUBMITTED FOR APPROVAL

Please tick one box, sign, date and return.

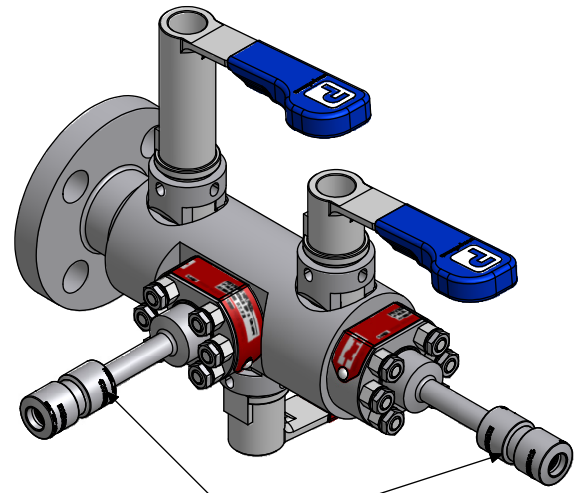
Approved - Please Proceed.
 Amended - Update and Proceed.
 Amended - Resubmit for Approval.

Signed :
Date :

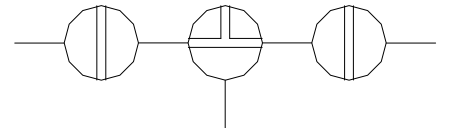
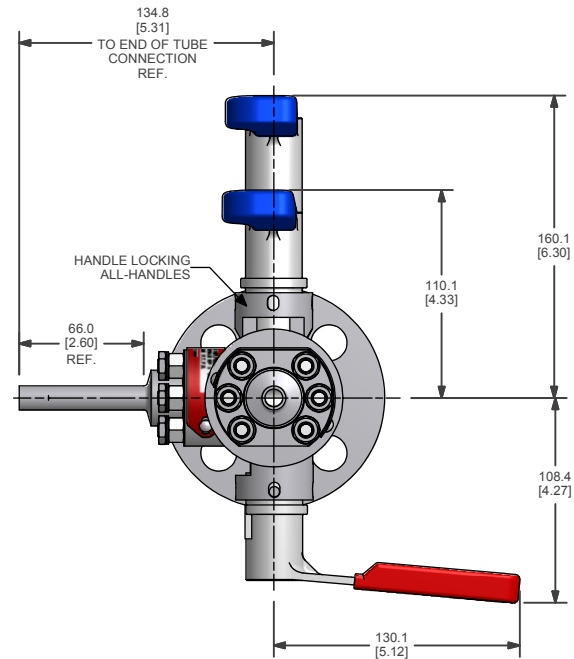
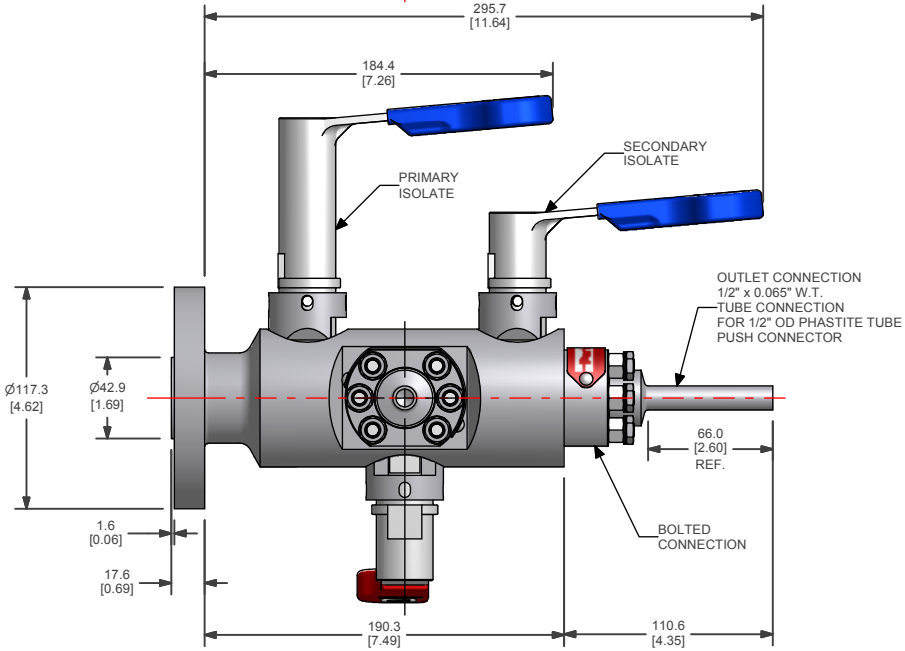
MAXIMUM WORKING CONDITIONS

COLD WORKING PRESSURE:
AS PER FLANGE RATINGS IN ACCORDANCE WITH ANSI B16.34
1440 PSI (100 BAR)

TEMPERATURE:
PEEK SEATS (OPTIONAL) -54°C to +232°C (-65°F to +450°F)



1/2" PHASTITE PUSH CONNECTOR.
(SHOWN FOR REPRESENTATION/
SUPPLIED LOOSE)



PRO-BLOC
SINGLE PIECE FORGING - WITH BOLTED OUTLET/VENT
BLOCK-BLEED-BLOCK (BALL-BALL-BALL)
INLET FLANGE : 3/4" NB x 300 lb RF (ANSI B16.5)
OUTLET/VENT : 1/2"x 0.065" TUBE CONNECTION
FOR 1/2" PHASTITE PUSH CONNECTOR (SUPPLIED LOOSE)
BODY MATERIAL: A182-F316
TRIM MATERIAL: 316SS
ISOLATE: BALL VALVE : 10mm ORIFICE - PEEK SEATS
ISOLATE: BALL VALVE : 10mm ORIFICE - PEEK SEATS
VENT: BALL VALVE : 10mm ORIFICE - PEEK SEATS
ALL HANDLES LOCKABLE
FIRESAFE: BS6755 Pt2.
NACE: MR0175 LATEST REV.

THIS DRAWING, THE MARKET AND BUSINESS STRATEGY INFORMATION (CONTAINED OR EXPRESSED), TOGETHER WITH ALL INNOVATIONS, DESIGNS, INVENTIONS, SYSTEMS AND PROCESSES SHOWN OR DISCUSSED ARE THE SOLE PROPERTY AND COPYRIGHT OF PARKER HANNIFIN PLC. THIS DRAWING IS FURNISHED ON THE UNDERSTANDING THAT THE DRAWING AND THE INFORMATION IT CONTAINS WILL NOT BE COPIED OR DISCLOSED TO OTHERS EXCEPT WITH THE WRITTEN CONSENT OF PARKER HANNIFIN, WILL NOT BE USED TO THE DETRIMENT OF PARKER HANNIFIN, AND WILL BE RETURNED UPON REQUEST BY PARKER HANNIFIN. THIS INTELLECTUAL PROPERTY CANNOT BE USED, REPRODUCED, COPIED, TRANSFERRED OR COMMUNICATED IN ANY WAY BY OR TO THIRD PARTIES. FURTHER DESIGN, PATENT AND COPYRIGHTS IN RESPECT OF PRODUCT AND COMPONENTS ALSO EXIST. YOUR ADHERENCE TO THE ABOVE CLAIM IS IMPLICIT UPON YOUR USE OF THIS DRAWING. © 2007

THE ITEMS DESCRIBED IN THIS DOCUMENT, INCLUDING WITHOUT LIMITATION, PRODUCT FEATURES, SPECIFICATIONS, DESIGNS, AVAILABILITY AND PRICING, ARE SUBJECT TO CHANGE BY PARKER HANNIFIN CORPORATION AND ITS SUBSIDIARIES AT ANY TIME WITHOUT NOTICE.

DIMENSIONS IN mm WITH IMPERIAL EQUIVALENTS IN PARENTHESIS.
DRAWING TITLE :
**PRO-BLOC MODULAR BOLTED
CONSTRUCTION
BLOCK-BLEED-BLOCK
BALL-BALL-BALL
3/4" x 300 LB RF FLANGE INLET (ANSI B16.5)
1/2" OD TUBE CONNECTION OUTLET & VENT
FOR PHASTITE PUSH CONNECTORS
CUSTOMER PROPOSAL DRAWING**

| DO NOT SCALE | | IF IN DOUBT ASK | |
|-------------------------|------------|--|------------|
| ISSUE NO. | 1 | DRAWN BY: | |
| E.C.N NO. | CUST. | DRAWN DATE | 17/12/2008 |
| DATE | 17/12/2008 | Approvals using electronic 'PDM WORKFLOW' (QSP05/25) | |
| DESCRIPTION OF REVISION | | | |

UNLESS STATED 3rd ANGLE PROJECTION

Parker

Parker Hannifin Ltd
Instrumentation Products Division
Riverside Road
Barnstaple,
Devon EX31 1NP

PBY120B12F300PH8VPH8PBL4FN